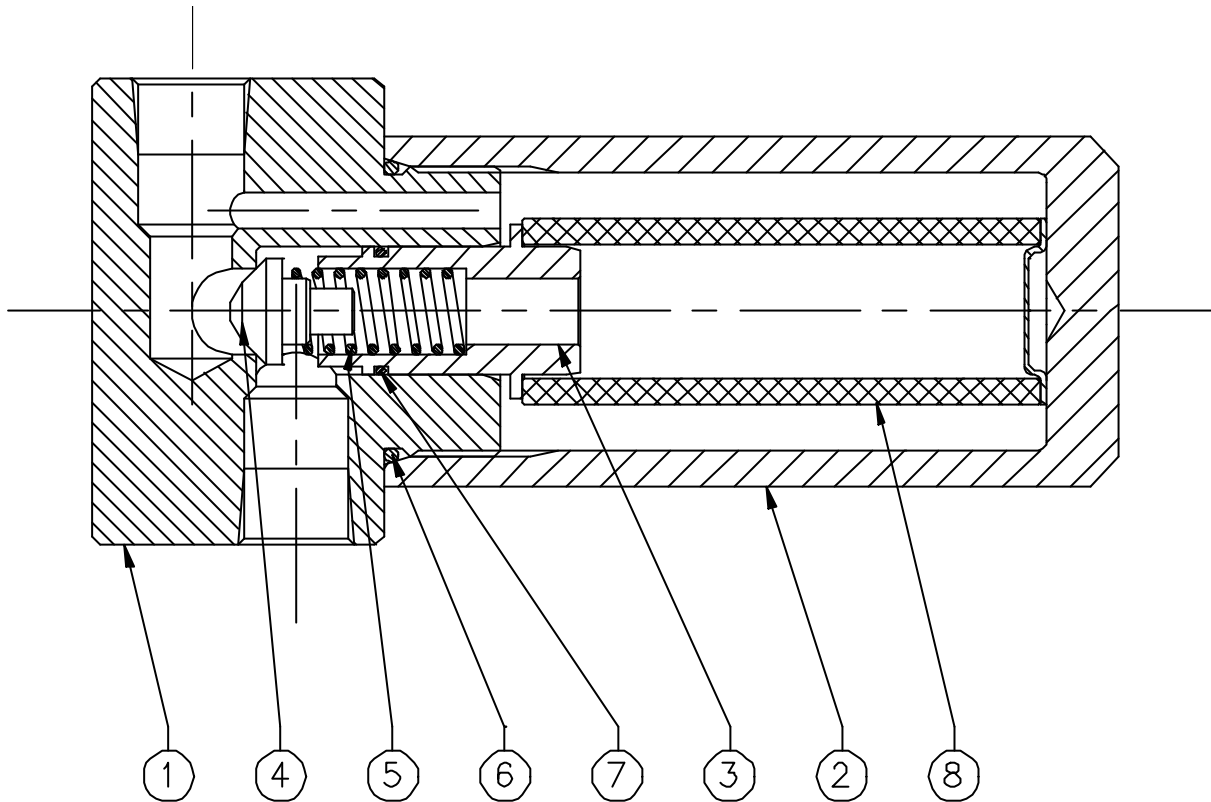


7.2 PRESSURE FILTER PARTS LIST



Item	Description	Qty	Part no.
1	Filter head	1	FP08-01
2	Filter body	1	FP08-02
3	Standpipe	1	FP08-03
4	Poppet	1	FP08-04
5	Spring	1	FP08-05
6	O-ring (body)	1	FP08-06
7	O-ring (standpipe)	1	FP08-07
8	Filter element 40 micron (standard)	1	FP08-08-40

Specifications are subject to change without prior notice due to product improvements.