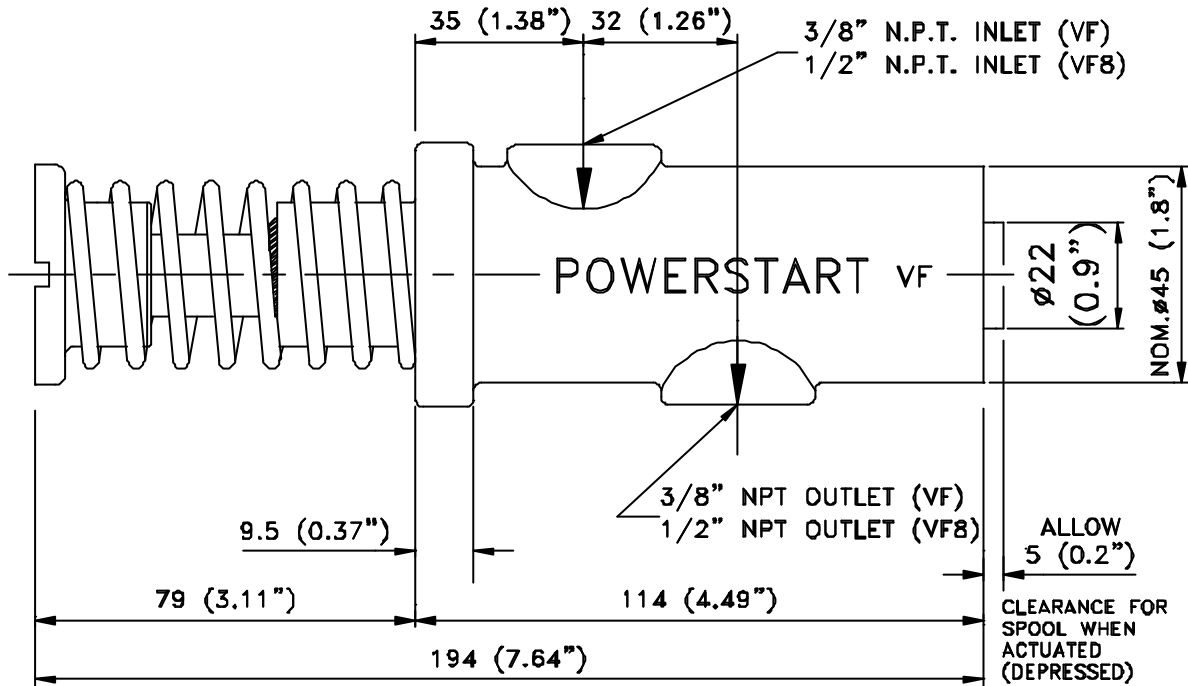


10. STARTING VALVES

10.1 FOOT VALVE SPECIFICATIONS



Part number:

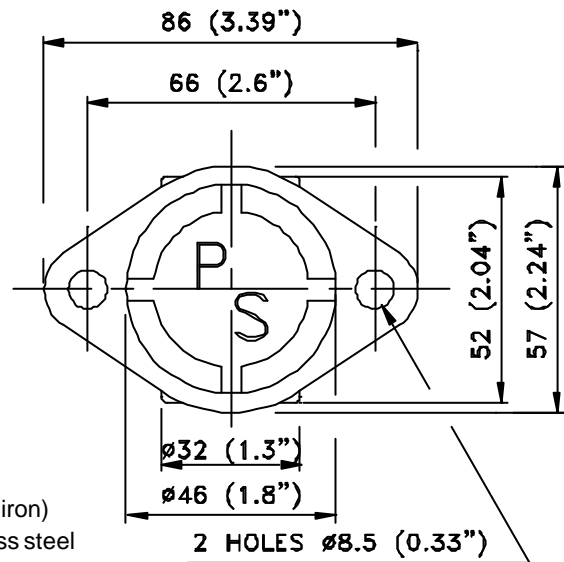
- VF – Foot valve with 3/8" NPT ports
- VF8 – Foot valve with 1/2" NPT ports

Features:

- ? Top wiper seal to prevent ingress of dirt
- ? Extended guide bush
- ? Safety plug gives access to bore of valve spool

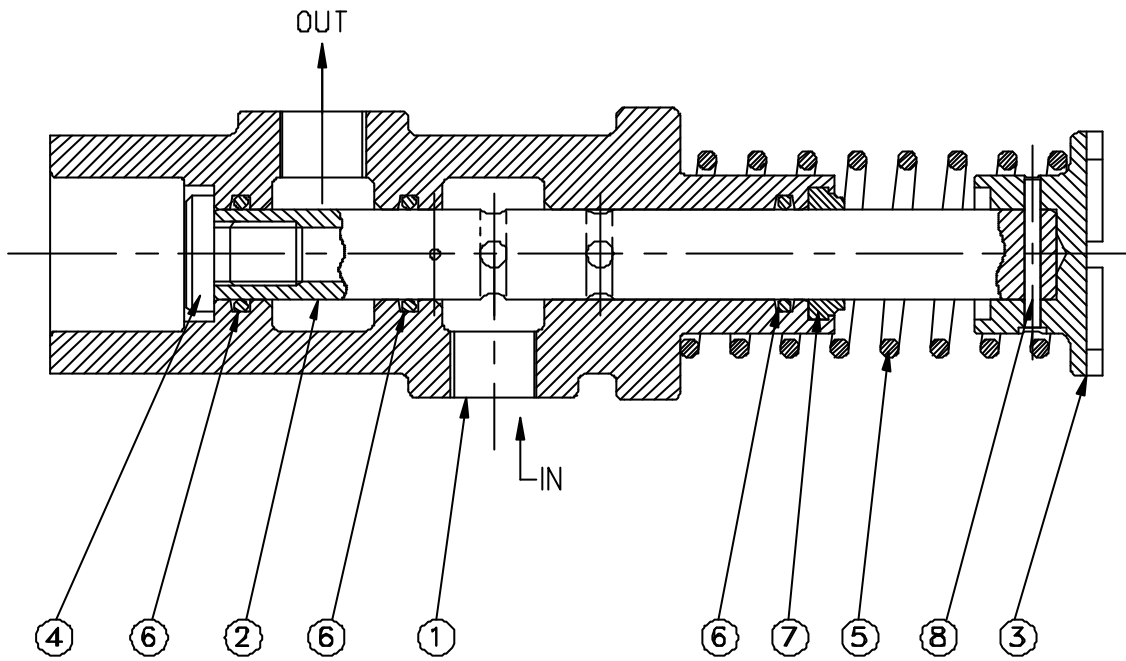
Specifications:

Weight	1.5kg (3.3 lbs)
Body and knob construction	Cast iron (ductile iron)
Spool	Hardened stainless steel
Spring	Cadmium plated
Maximum working pressure	21 MPa (3000 psi)
Fluid media	Mineral oil
Viscosity range	ISO 32 to 46 (SUS 140-230)
Temperature range	-30°C to +100°C (-22°F to +212°F)
Flow rates (max.)	Model VF (3/8" NPT ports) - 75 l/min (20 usgpm) Model VF8 (1/2" NPT ports) - 100 l/min (26 usgpm)
Force to open	270N (60 lbf.) at 21 MPa (3000 psi)



Specifications are subject to change without prior notice due to product improvements.

10.2 FOOTVALVE PARTS LIST



Item	Description	Qty	Part no.
1	Valve body	1	VF-01
2	Valve spool	1	VF-02
3	Knob	1	VF-03
4	Plug	1	VF-04
5	Spring	1	VF-05
6	O-ring	3	VF-06
7	Wiper seal	1	VF-07
8	Lock pin	1	VF-08

Items 6, 7 and 8 included in repair kit VF-RK

Specifications are subject to change without prior notice due to product improvements.