

13. COMPLETE MINI-PAK STARTING SYSTEMS

13.1 MINI-PAK SPECIFICATIONS

Pump-Pak part number:

M P - P F 1 0

Minipak part number:

M P 1 0 - - - F 1 0 1 8

Starter Size

10	-	10cc (0.6 cu.in.)
16	-	16cc (0.95 cu.in.)
22	-	22cc (1.35 cu.in.)
28	-	28cc (1.7 cu.in.)

Starter Drive

Pinion gear, flange type
and FRG distance
Refer to pages 12-3 to 12-5

Accumulator

10	-	1.0 ltr. (0.25 gal.)
25	-	2.5 ltr. (0.66 gal.)
40	-	4.0 ltr. (1.06 gal.)

Hose Length

18 - 1.8m (6 ft.) (std).

Start Valve

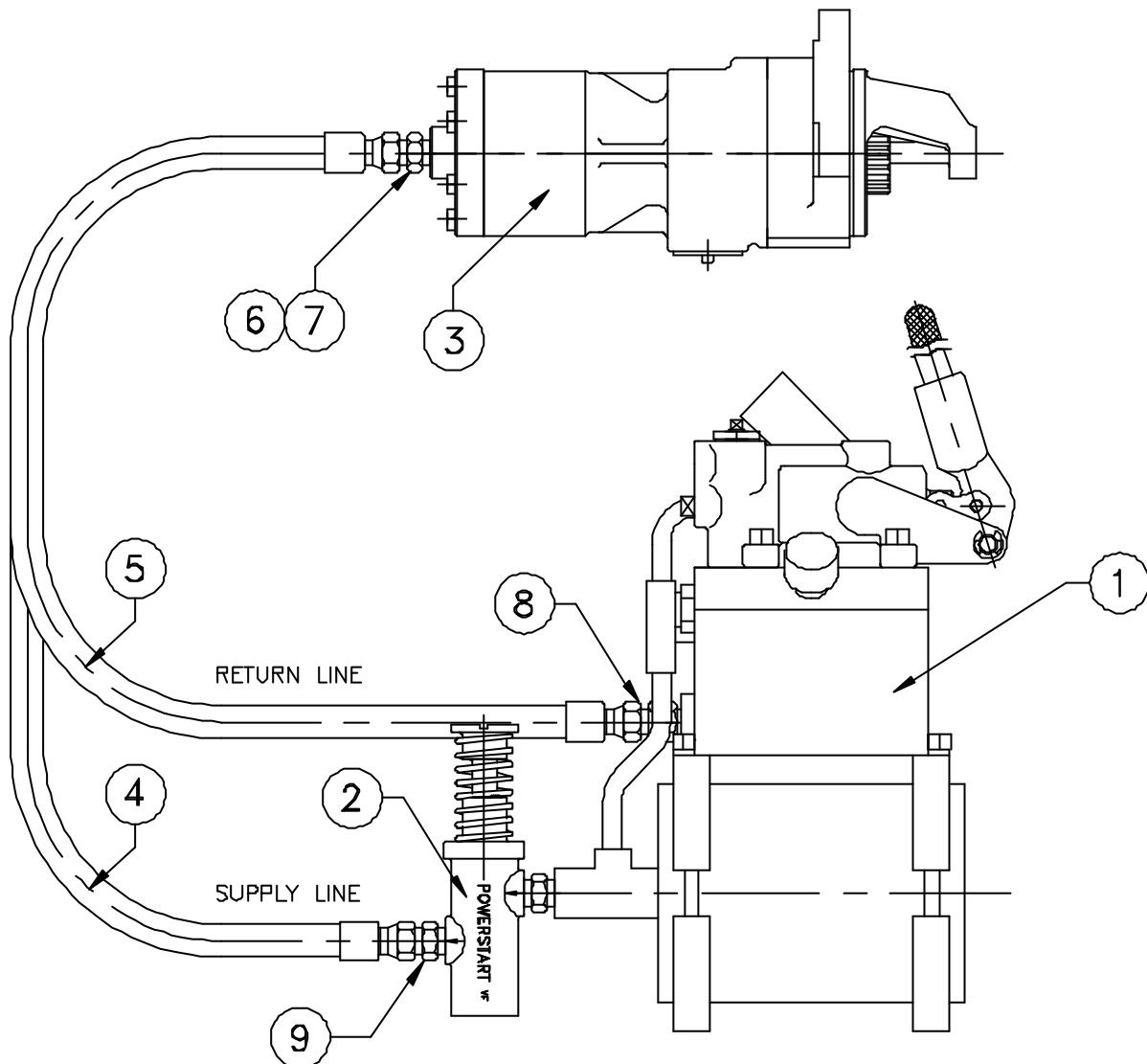
0	-	None
F	-	Foot valve (std.)
S	-	24V DC Solenoid valve

Features:

- ? One piece bolt-on pre-assembled solution to a complete starting system
- ? Pump-paks comprise an accumulator, oil reservoir, filler breather, hand pump, relief valve and foot valve
- ? Mini-paks comprise of a pump-pak, a return hose, a supply hose, adaptors and a starter motor
- ? All steel construction
- ? Integrated relief valve

Specifications are subject to change without prior notice due to product improvements.

13.2 MINIPAK PARTS LIST

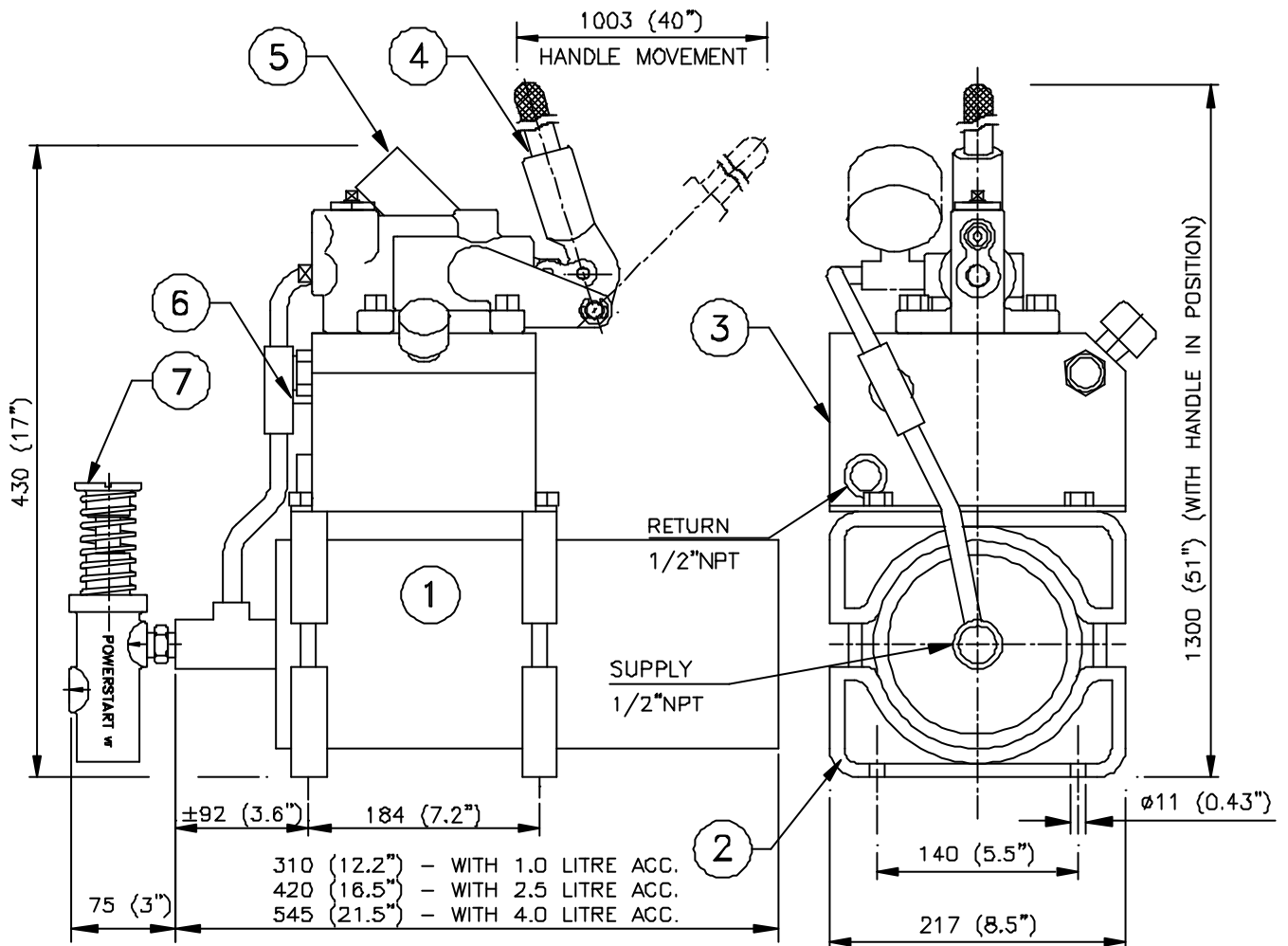


Item	Description	Qty	Part no.	Remarks	Weight
1	Pump-pak	1	Depends on configuration	See next page for details	35 kg (77 lbs) max.
2	Start valve	1		Footvalve (VF) standard	Part of pumppak
3	Starter motor	1		M10 Standard	6.5 kg (14.3 lb.)
4	Pressure hose	1	HS08-18	1.8m long Standard	1.0 kg (2.2 lb.)
5	Return hose	1	HR10-18	1.8m long Standard	1.0 kg (2.2 lb.)
6	Inlet port adaptor	1	HS-01	3/8" NPT to JIC-8	0.2 kg (0.44 lb.)
7	Return port adaptor for M10&M16	1	HR-02	3/8" NPT to JIC-10	0.2 kg (0.44 lb.)
7	Return port adaptor for M22&M28	1	HR-01	1/2" NPT to JIC-10	0.2 kg (0.44 lb.)
8	Tank return adaptor	1	HR-01	1/2" NPT to JIC-10	0.2 kg (0.44 lb.)
9	Foot valve adaptor	1	HS-01	3/8" NPT to JIC-8	0.2 kg (0.44 lb.)

See "COMPLETE MINI-PAK STARTING SYSTEMS" on page 13-21 for ordering code.

Specifications are subject to change without prior notice due to product improvements.

13.3 PUMP-PAK DIMENSIONS AND PARTS LIST



Item	Description	Qty	Part no.
1	Accumulator	1	Depends on configuration
2	Mounting bracket base	4	AC-17-1
3	Reservoir, 3 litres (0.8 gal.) for 1.0 and 2.5 litre acc.	1	RPH-03
3	Reservoir, 5 litres (1.3 gal.) for 4.0 litre acc.	1	RPH-03
4	Hand pump	1	PH-20
5	Pressure gauge	1	PG63-25
6	Internal relief valve	1	VRHMP-23
7	Start valve	1	Depends on configuration
8	Fittings kit	1	PA-007

See "COMPLETE MINI-PAK STARTING SYSTEMS" on page 13-21 for ordering code.

Specifications are subject to change without prior notice due to product improvements.